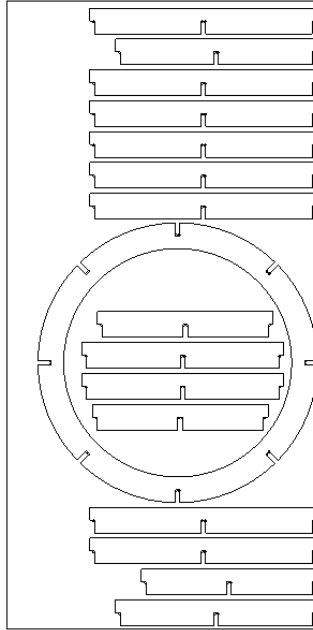







Sheet Number 1 of 5

Sheet Size 1220.00 x 2440.00

Parts Placed 16

Utilization 49.99 %



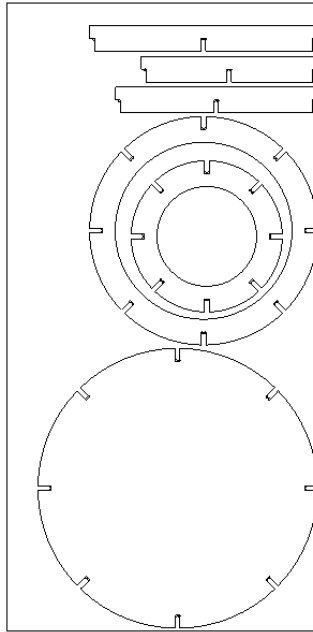
Part Name	Width	Length	Quantity On Nest	Total Quantity
 1100x900L	1087.85	1087.85	1	2
 1100x900V	100.00	884.00	3	8
 600x900V	100.00	884.00	5	8
 900x700V	100.00	684.00	3	8
 900x800V	100.00	784.00	4	8

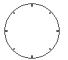

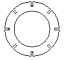
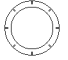
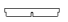

Sheet Number 2 of 5

Sheet Size 1220.00 x 2440.00

Parts Placed 6

Utilization 51.61 %



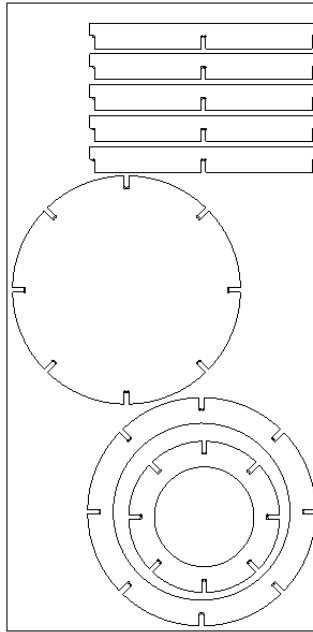
Part Name	Width	Length	Quantity On Nest	Total Quantity
 1100x900T	1087.85	1087.85	1	1
 1100x900V	100.00	884.00	1	8
 600x900L	587.72	587.72	1	2
 900x700L	887.81	887.81	1	2
 900x700V	100.00	684.00	1	8
 900x800V	100.00	784.00	1	8




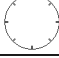

Sheet Number 3 of 5

Sheet Size 1220.00 x 2440.00

Parts Placed 8

Utilization 47.94 %



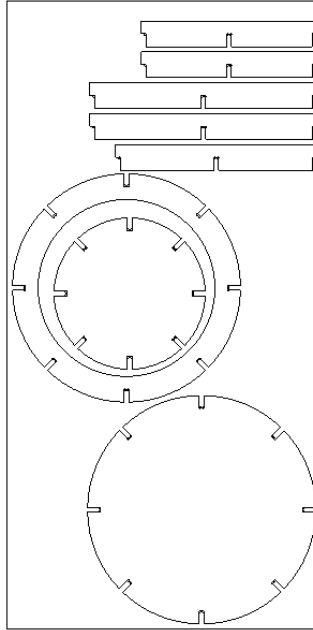
Part Name	Width	Length	Quantity On Nest	Total Quantity
 1100x900V	100.00	884.00	3	8
 600x900L	587.72	587.72	1	2
 600x900V	100.00	884.00	2	8
 900x700T	887.81	887.81	1	1
 900x800L	887.81	887.81	1	2




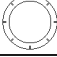
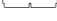

Sheet Number 4 of 5


Sheet Size 1220.00 x 2440.00

Parts Placed 8

Utilization 50.23 %



Part Name	Width	Length	Quantity On Nest	Total Quantity
 1100x900V	100.00	884.00	1	8
 600x900T	587.72	587.72	1	1
 600x900V	100.00	884.00	1	8
 900x700L	887.81	887.81	1	2
 900x700V	100.00	684.00	2	8
 900x800T	887.81	887.81	1	1

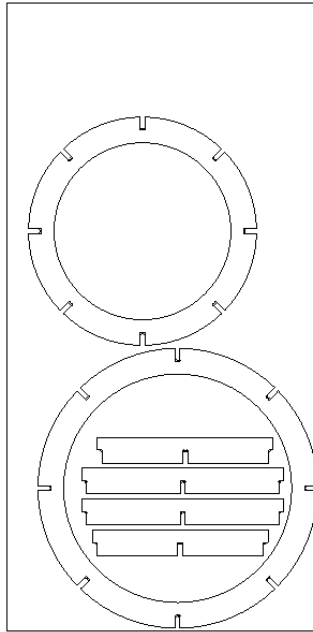
Part Name	Width	Length	Quantity On Nest	Total Quantity
 900x800V	100.00	784.00	1	8

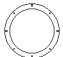

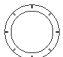
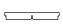
Sheet Number 5 of 5

Sheet Size 1220.00 x 2440.00

Parts Placed 6

Utilization 27.76 %



Part Name	Width	Length	Quantity On Nest	Total Quantity
 1100x900L	1087.85	1087.85	1	2
 900x700V	100.00	684.00	2	8
 900x800L	887.81	887.81	1	2
 900x800V	100.00	784.00	2	8